

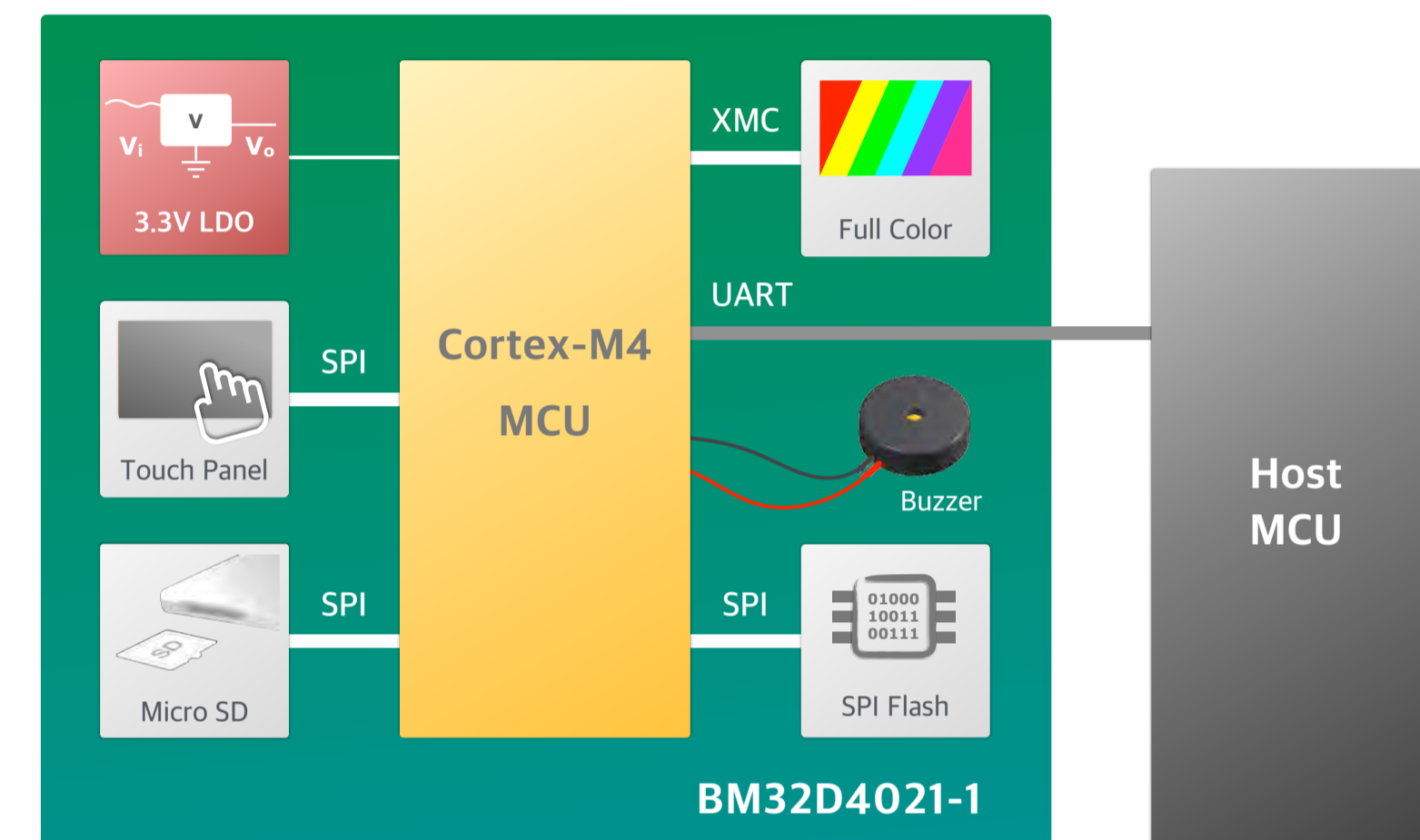
Color Screen Display Module with Serial Interface (Small)

BM32D4021-1

Characteristics

- 240MHz 32-bit Arm[®] Cortex[®]-M4 processor core
- Supports SD card and UART for serial screen data update
- Supports custom programming by host to control the display content and effects
- Supports UART interface to connect to other devices for functional expansion
- Controls and rich commands, 14 controls and more than 50 commands

Block Diagram



Applications

Smart home appliances, energy storage devices, medical equipment, etc.

