

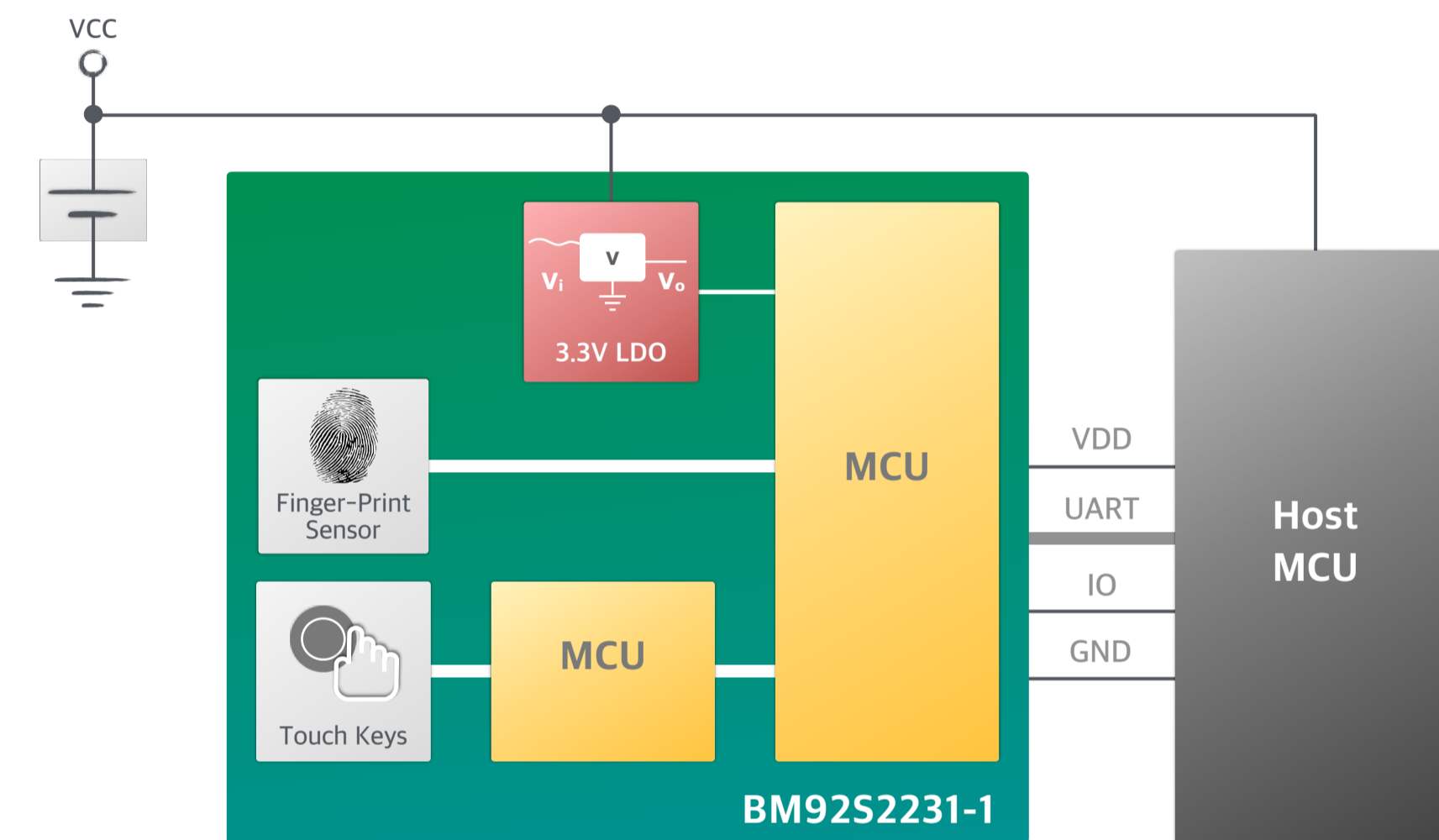
2nd Gen Capacitive Fingerprint Recognition Module (Large)

BM92S2231-1

Characteristics

- Recognition rate: FAR<0.001%, FRR<3%
- Effective collection area: 9.6mm × 12.8mm
- One to one matching time: <15ms, storage capacity: 1000 fingerprints
- Supports UART communication to implement fingerprint collection, registration, comparison and search functions
- Support for BMduino (Arduino) development

Block Diagram



Applications

Smart door locks, attendance recording machines, etc.

