

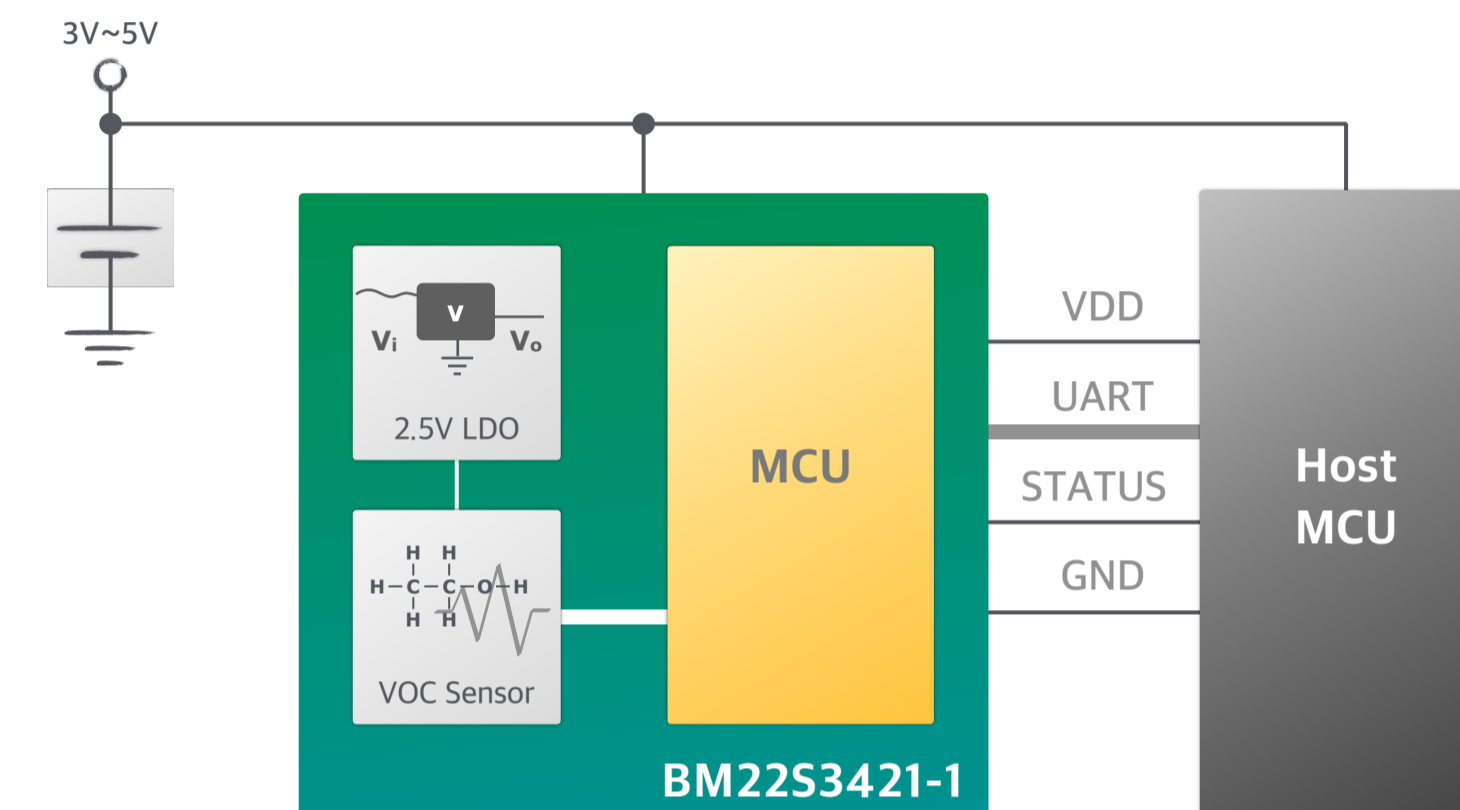
# MEMS Alcohol Digital Sensor

## BM22S3421-1

### Characteristics

- Digital output
- UART/STATUS output mode for different requirements
- Uses MEMS sensor, low power consumption
- 4-level concentration output function
- Support for BMduino (Arduino) development

### Block Diagram



### Applications

Smart indoor air quality monitors, ethanol gas detectors, breathalyzers, etc.

