

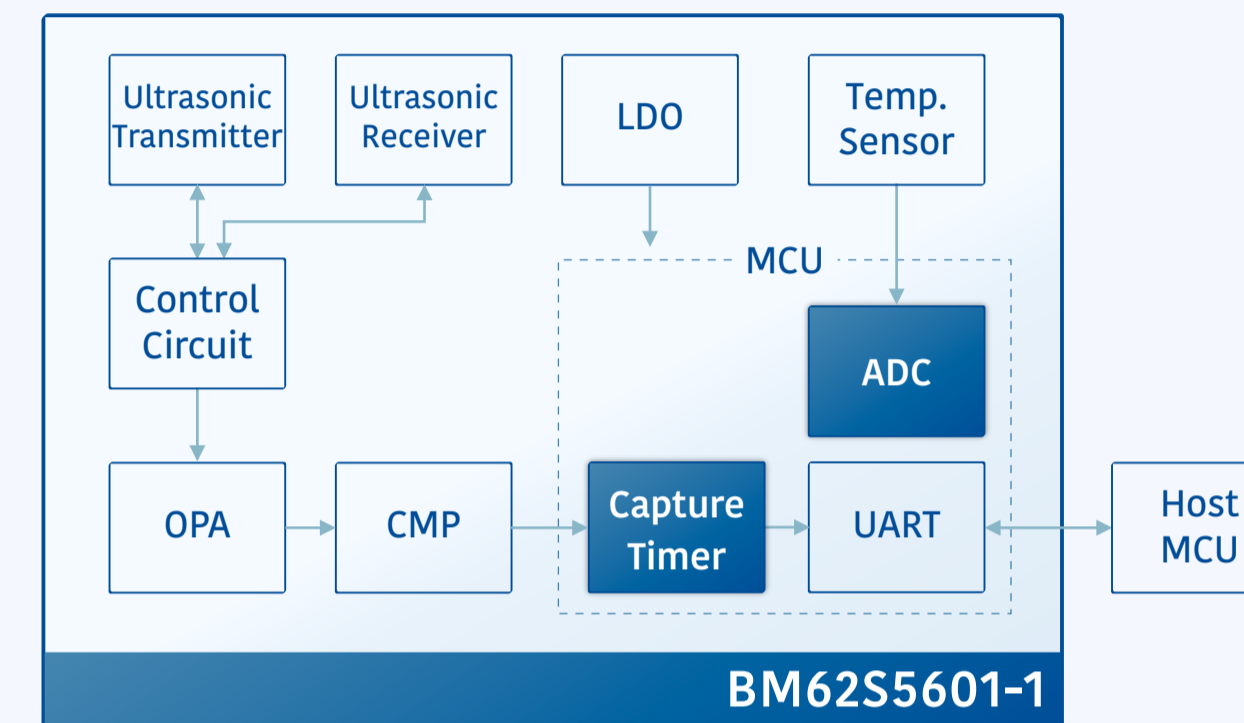
Ultrasonic Oxygen Concentration and Flow Detection Module

BM62S5601-1

Characteristics

- Supports oxygen concentration and flow detection
- Oxygen concentration range: 21%~95.6%, accuracy $\pm 1.8\%$ @ $5^{\circ}\text{C}\sim 45^{\circ}\text{C}$
- Flow range: 0L/min~10L/min, accuracy $\pm 0.2\text{L/min}$
- No need for periodic calibration, long service life, stable measurements
- Supports UART communication, flexible for applications

Block Diagram



Applications

Household/medical oxygen concentrators, respirators, oxygen therapy devices, etc.

