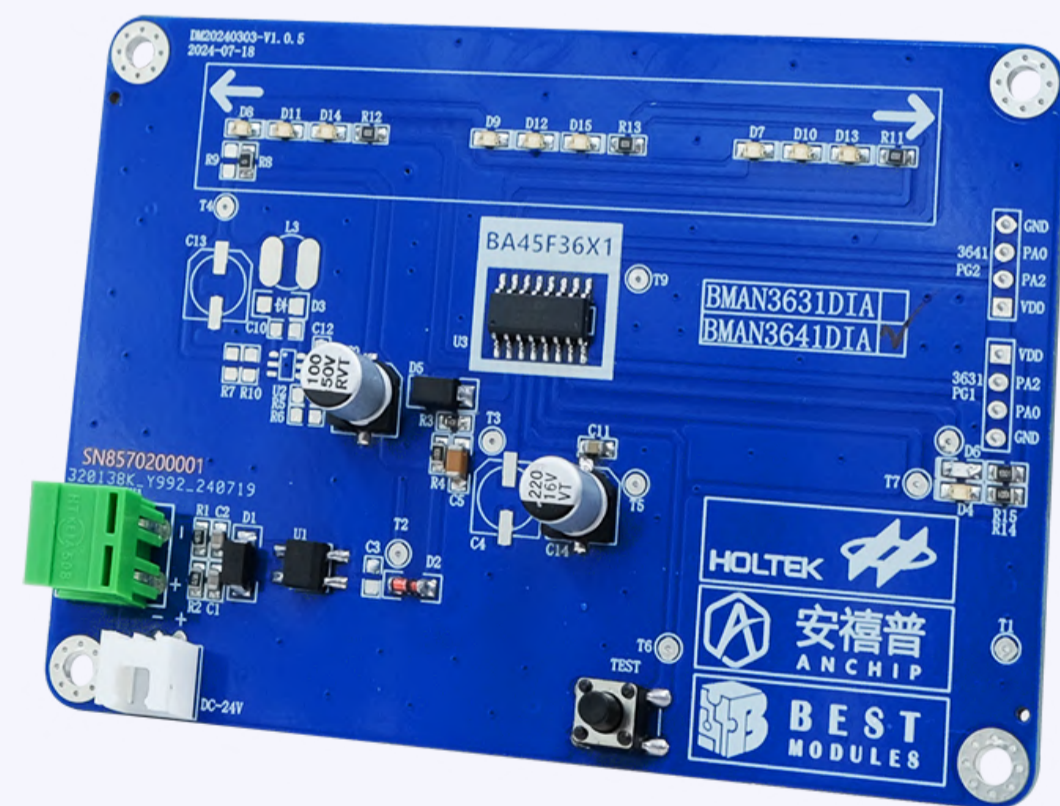


Smart Evacuation Indicator Demo

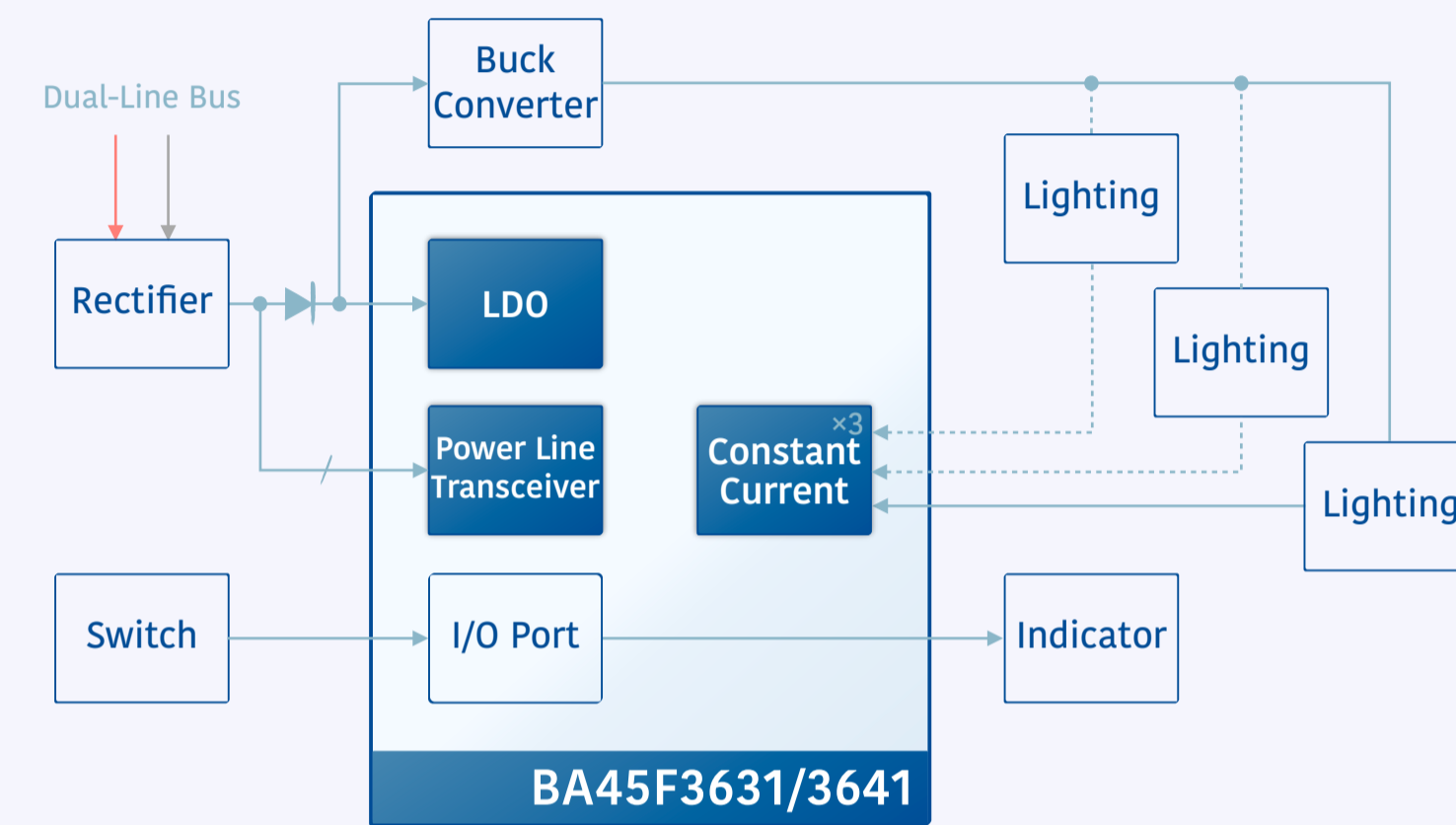
BA45F3631/3641

Characteristics

- Integrated 3.3V LDO / 60V withstand
- 3-channel constant current driving, multi-stage current programmable
- Over-temperature and short-circuit protection, open/short-circuit detection
- Integrated Power Line Transceiver (PLT): bus follower voltage threshold V_{in} , 16-stage adjustable



Block Diagram



Applications

Smart evacuation indicators, etc.

