

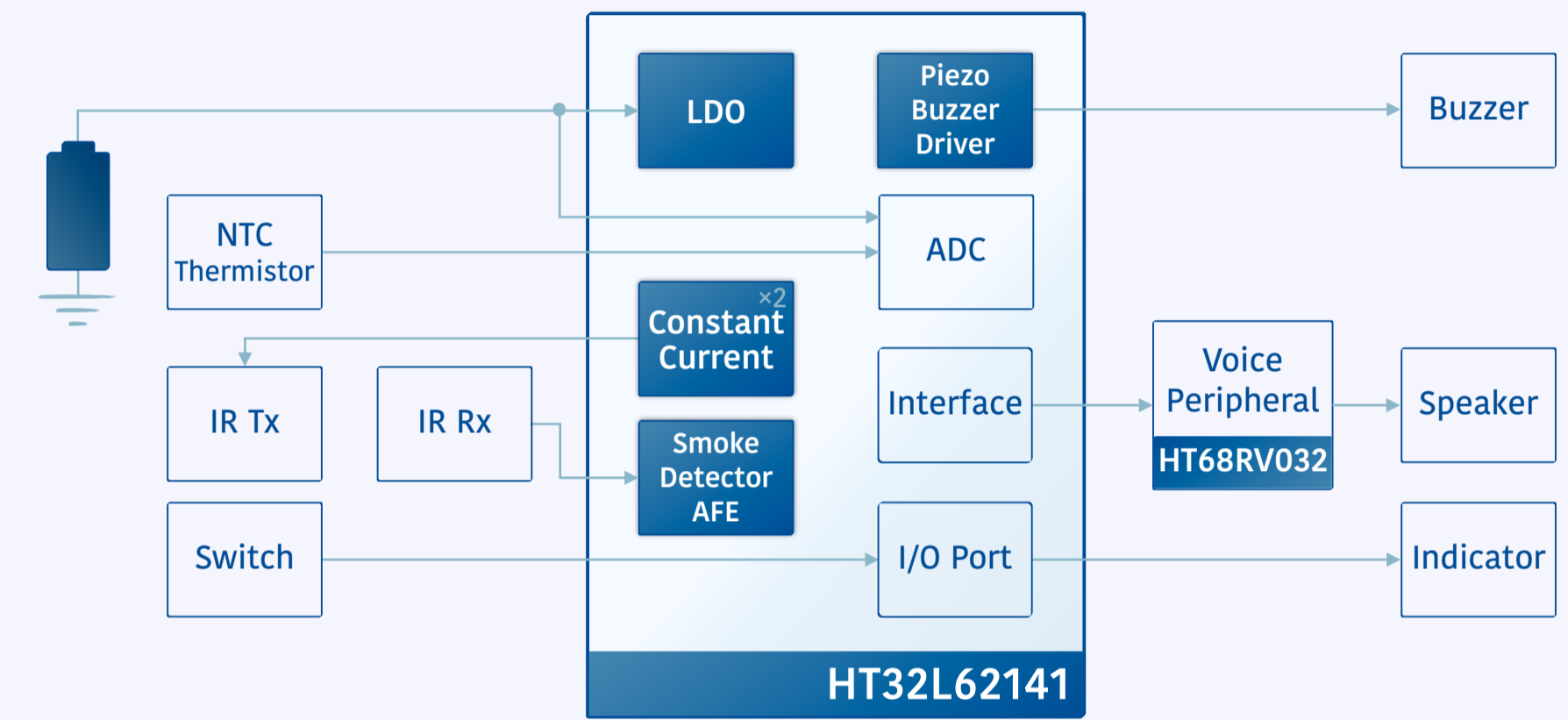
3V Boost Smoke Alarm Demo (M0+)

HT32L62141+HT68RV032

Characteristics

- Integrated smoke detector: smoke detection AFE, 2 constant current channels
- Integrated regulation reference V_{BG} for battery low power detection, saving peripheral components
- Buzzer driver with boost function, supporting MCU fault alarm function
- Includes DIV, ADC, UART, GPTM, CRC functions
- Supports six power-saving modes for low power consumption applications

Block Diagram



Applications

Voice smoke alarms, etc.

