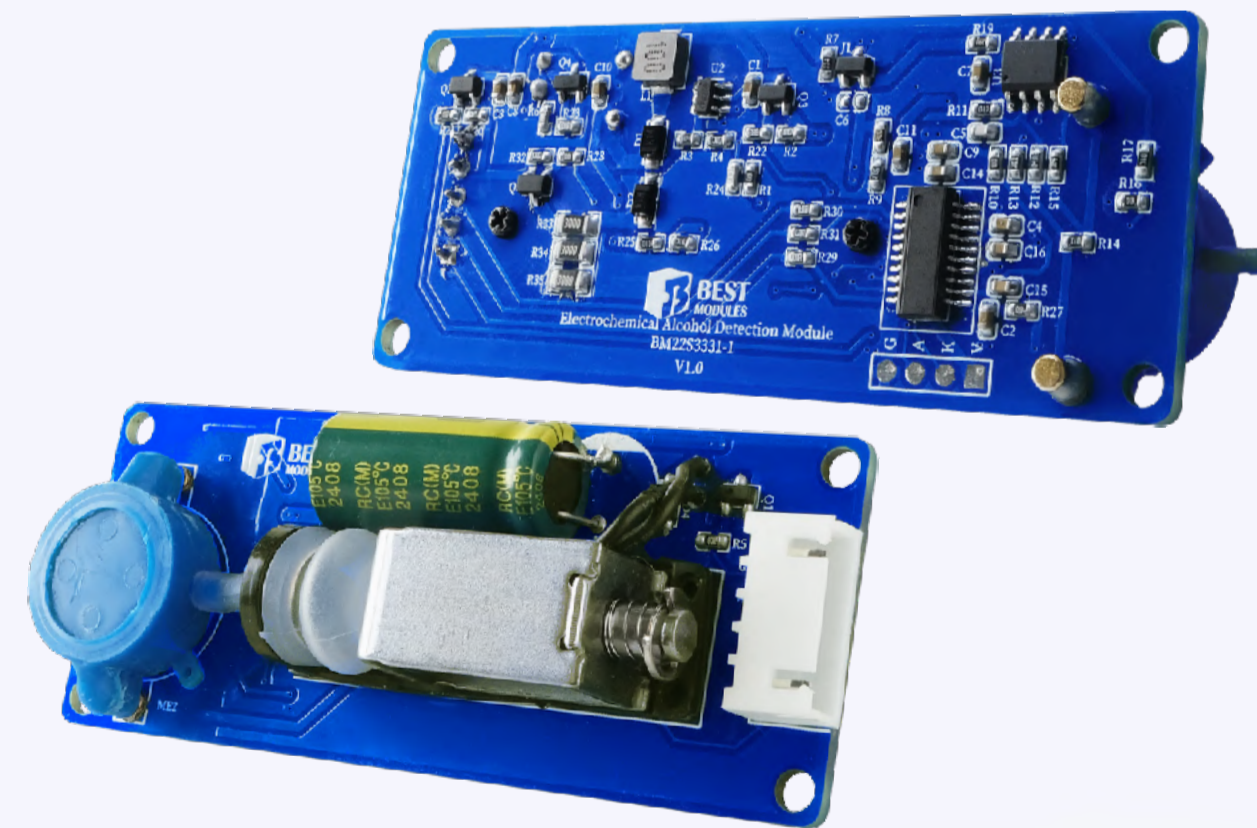


# Electrochemical Alcohol Detection Module

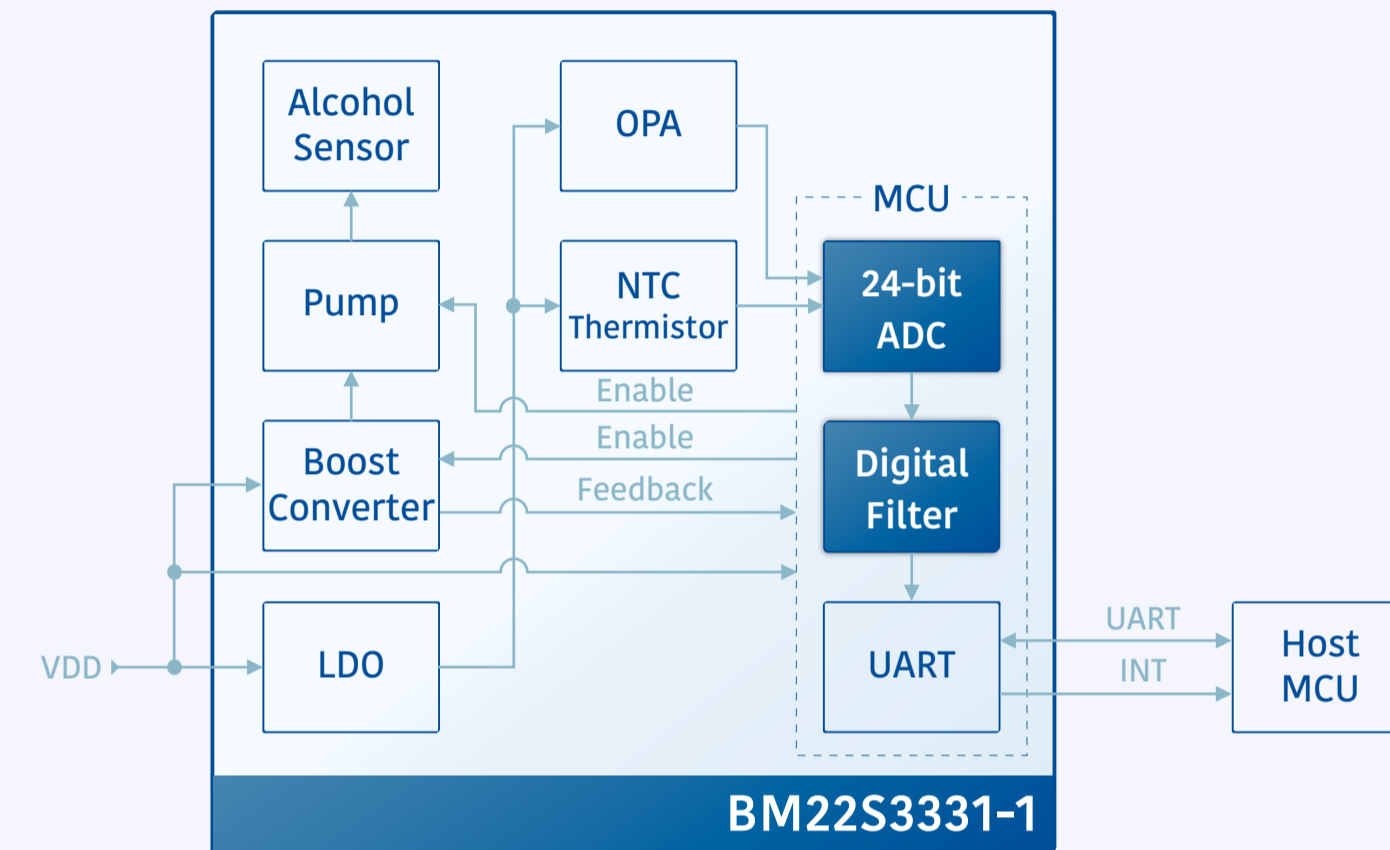
## BM22S3331-1

### Characteristics

- Electrochemical alcohol sensor with temperature compensation and high accuracy
- Quantitative air intake detection, high measurement stability
- No need for warm-up, quick measurements, short interval for consecutive measurements
- Factory calibrated
- Supports UART digital output, more flexible for applications



### Block Diagram



### Applications

Breathalyzers, quick-screen type alcohol detectors, etc.

