

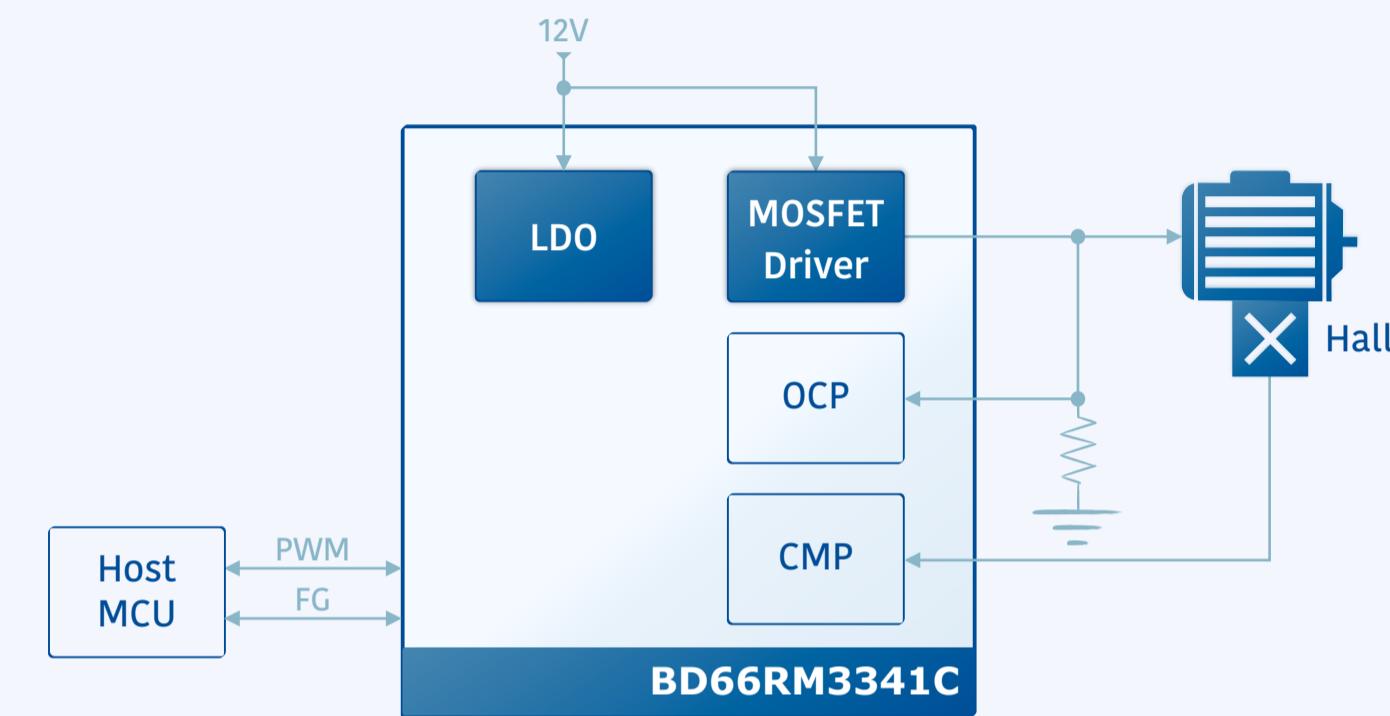
1-Phase Refrigerator Defrosting Fan

BD66RM3341C

Characteristics

- Hall sine-wave control solution
- Integrated 20V 1-phase BLDC driver directly drives motor
- PWM frequency control for rotor speed control
- High-voltage open-drain motor speed signal FG
- Under-/over-voltage, over-current, current-limit, locked-rotor protection

Block Diagram



Applications

1-phase refrigerator defrosting fans, low-voltage and low-power 1-phase fans, etc.

