

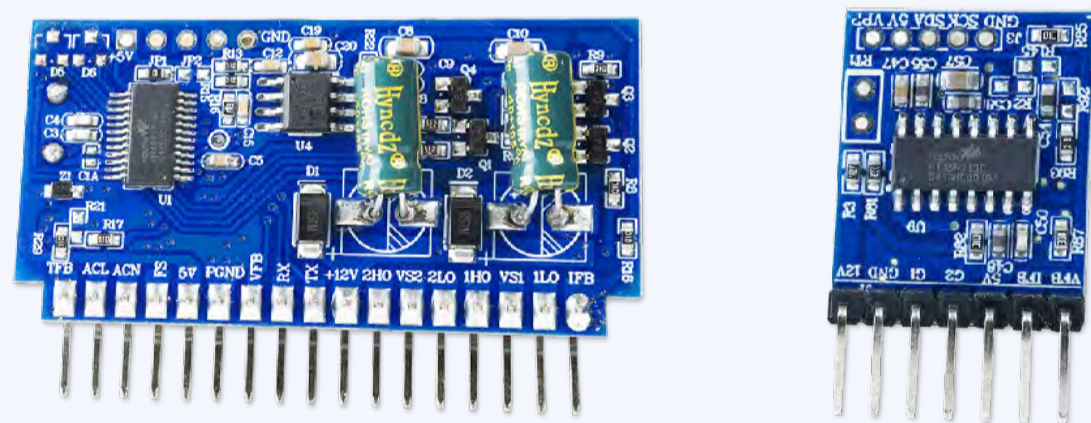
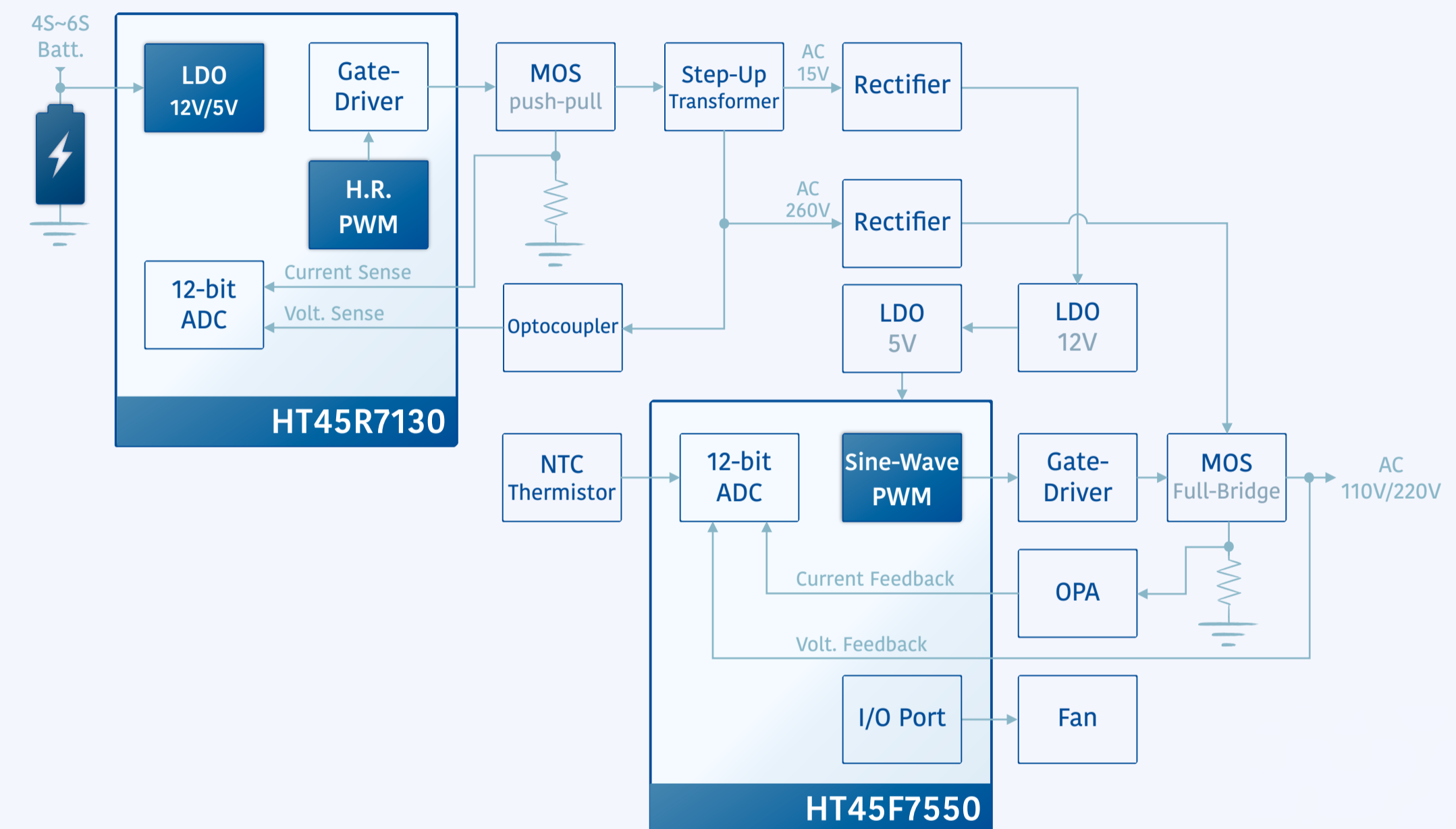
300W Uni-directional Inverter

HT45R7130 + HT45F7550

Characteristics

- Primary side HT45R7130 integrates two gate-driver circuits Push-pull DC boost
Integrated 12V/5V LDO, simplified power supply circuit
- Secondary side HT45F7550 includes an SPWM output circuit
Embedded OPA AC differential circuit

Block Diagram



Applications

Portable energy storage, home energy storage, solar photovoltaic energy storage, car inverters, etc.

