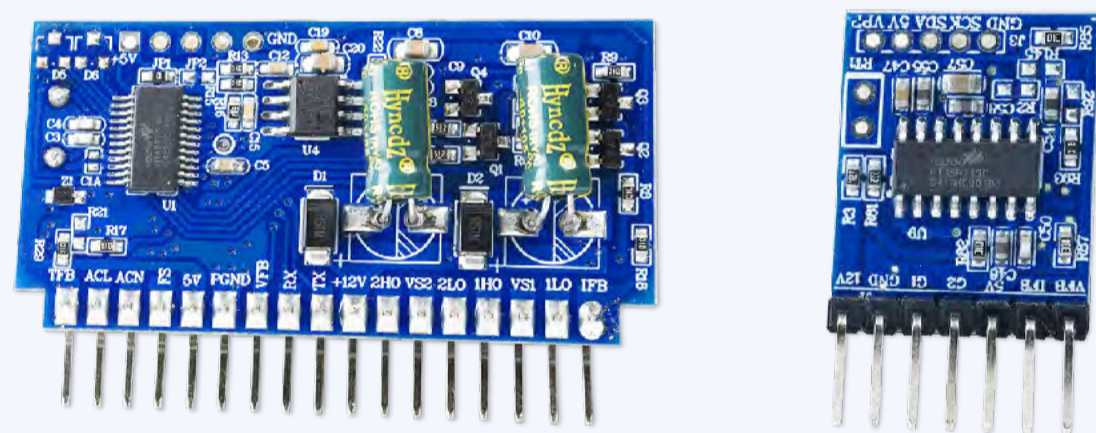


# 1KW Uni-directional Inverter

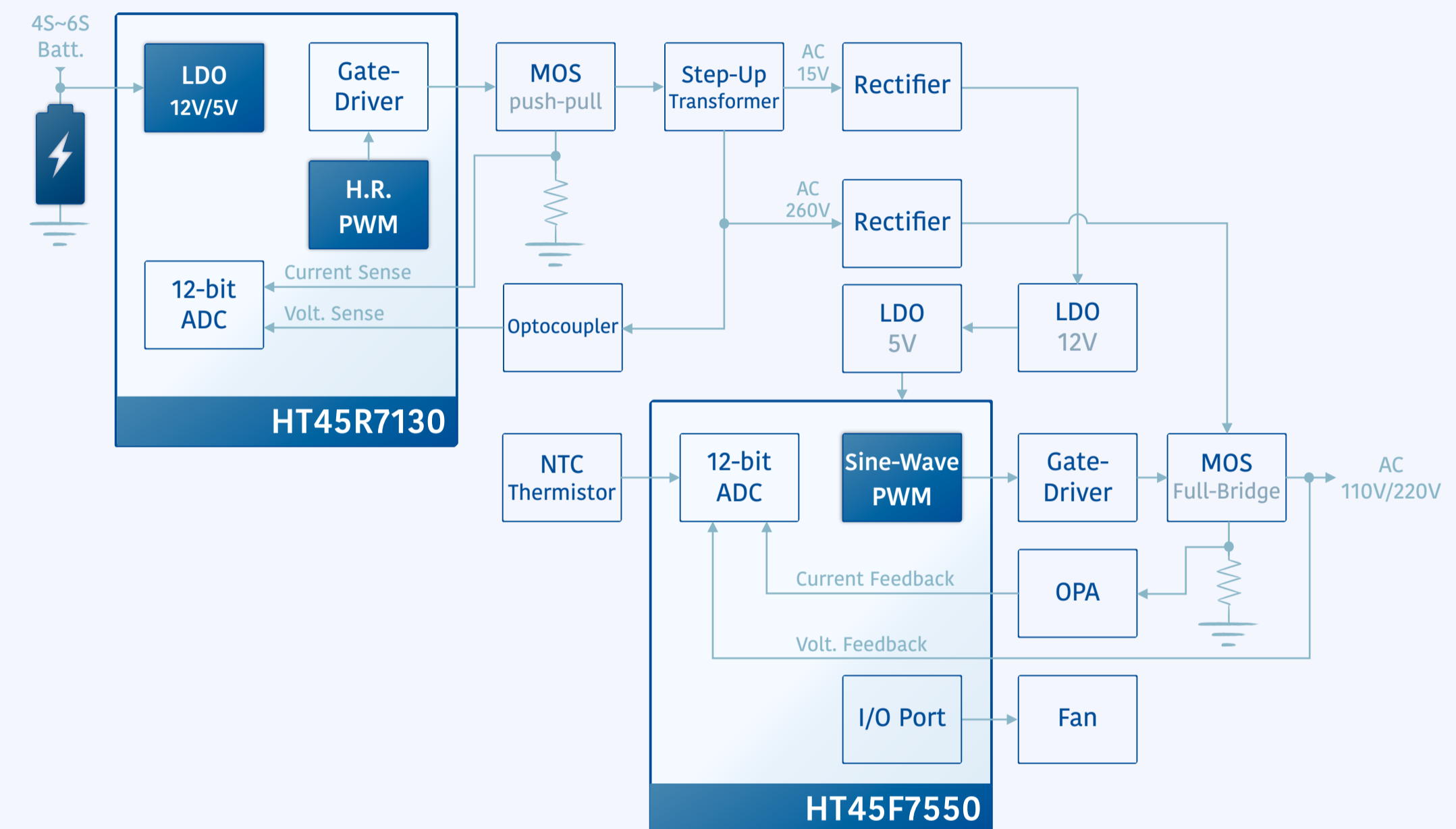
## HT45R7130 + HT45F7550

### Characteristics

- Primary side HT45R7130 integrates two gate-driver circuits  
Push-pull DC boost  
Integrated 12V/5V LDO, simplified power supply circuit
- Secondary side HT45F7550 includes an SPWM output circuit  
Embedded OPA AC differential circuit



### Block Diagram



### Applications

Portable energy storage, home energy storage, solar photovoltaic energy storage, car inverters, etc.

