
Revision History

Ver	Date	Description	Author	DCC
1.0	2019/05/17	Initial version	Tyrion	
1.1	2020/07/02	English version	Eric	

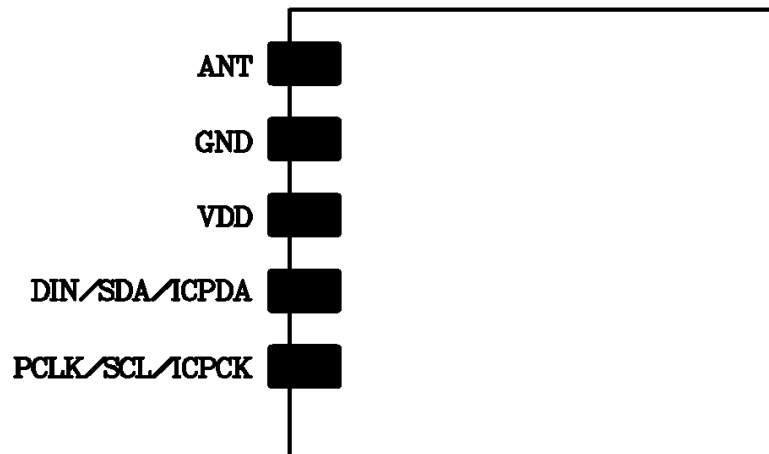
Table of Contents

1.	Selection table.....	3
2.	Pin Description.....	3
3.	Module dimension drawing.....	4
4.	Module Circuit.....	4
5.	Additional Information	5

1. Ordering Information

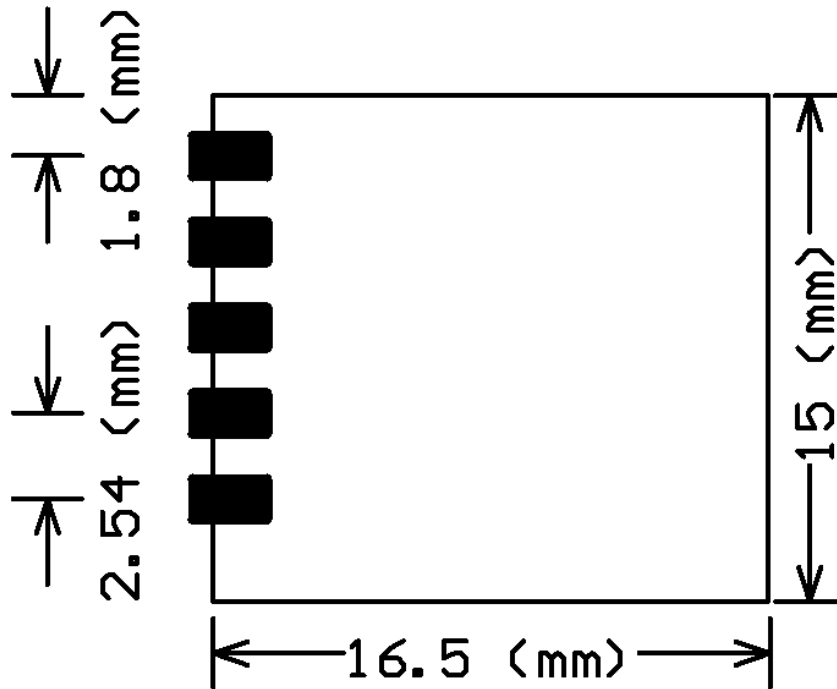
Part Number	Frequency Band
BCM-2102-X10-315	315 MHz
BCM-2102-X10-433	433 MHz
BCM-2102-X10-868	868 MHz
BCM-2102-X10-915	915 MHz

2. Pin Description

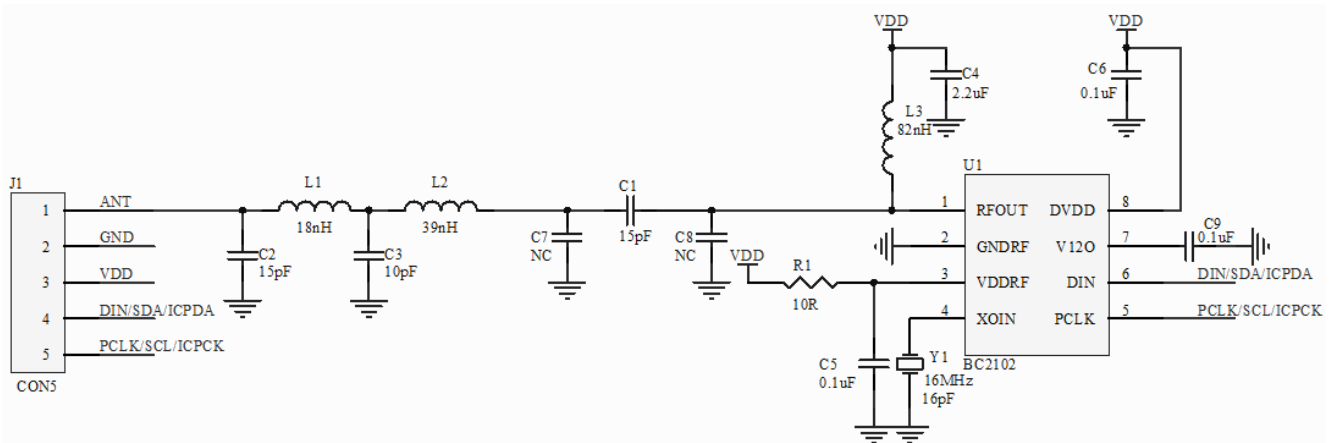


Pin No.	Pin Name	Type	Function	Description
1	ANT	DI	Antenna	Connects to antenna
2	GND	P	Ground	Ground
3	VDD	P	VDD	
4	DIN/SDA/ICPDA	DI	DIN	RF transmitter data input
			SDA	I ² C data input
			ICPDA	ICP data input
5	PCLK/SCL/ICPCK	DI	PCLK	Clock input
			SCL	I ² C clock input
			ICPCK	ICP clock input pin

3. Module dimension drawing



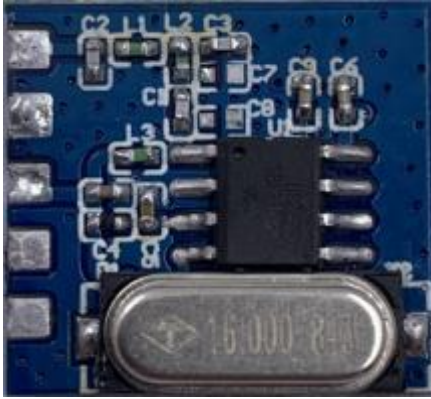
4. Module Circuit



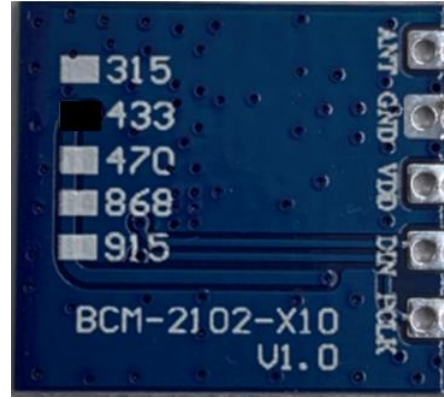
433MHz

5. Additional information

1) Module photo



front



rear

- 2) Be sure to keep RF module and antenna away from metallic objects for better performance.