



Sub-1GHz OOK RX Module

BM2302-6x-2

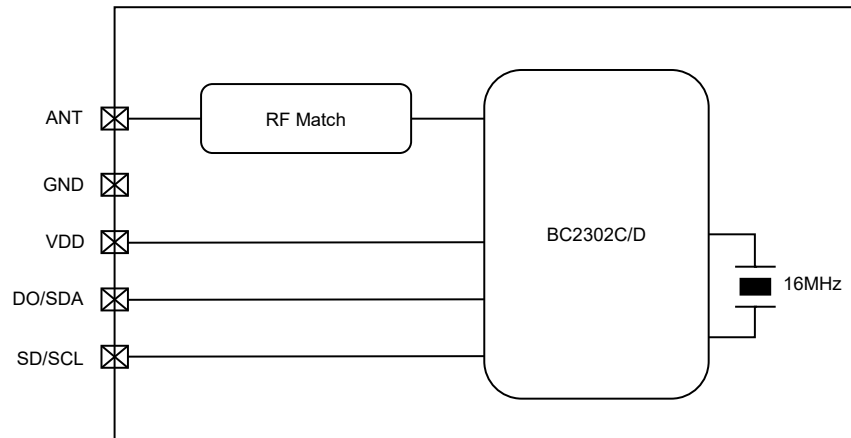
Revision: V1.00 Date: July 10, 2023

www.bestmodulescorp.com

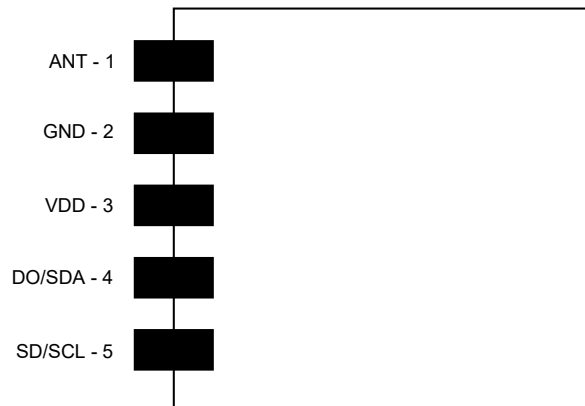
Table of Contents

Features	3
General Description	3
Applications	3
Selection Table	3
Block Diagram	4
Pin Assignment	4
Pin Description	4
Technical Specifications	5
Absolute Maximum Ratings	5
D.C. Electrical Characteristics.....	5
RF Electrical Characteristics	5
Functional Description	6
I²C Communication Format	7
I ² C START and STOP Conditions	7
Application Circuits	7
Layout Description	8
PCB Footprint.....	8
Layout Example	8
Dimensions	9
Reference Information	9
Modification History.....	9
Relevant Document.....	9
Buy Online.....	9

Block Diagram



Pin Assignment



Pin Description

Pin No.	Pin Name	Type	Function Description
1	ANT	AI	Antenna interface
2	GND	PWR	Negative power supply, GND
3	VCC	PWR	Positive power supply
4	DO/SDA	DI/DO	DO: Demodulated data output in the RX mode SDA: I ² C data line in the Configuration mode
5	SD/SCL	DI	SD: RX mode Shut-down control, should be pulled low in the RX mode SCL: I ² C clock input line in the Configuration mode

Legend: PWR=Power; DI=Digital input; DO=Digital output; AI= Analog input

Technical Specifications

Absolute Maximum Ratings

Supply Voltage	$V_{SS}-0.3V$ to $V_{SS}+5.5V$
Input Digital Voltage	$V_{SS}-0.3V$ to $V_{DD}+0.3V$
Storage Temperature.....	$-60^{\circ}C$ to $125^{\circ}C$
Operating (Environment) Temperature	$-40^{\circ}C$ to $85^{\circ}C$
ESD HBM	$>\pm 2kV$

Note: Devices being ESD sensitive. HBM (Human Body Mode) is based on MIL-STD-883.

D.C. Electrical Characteristics

$T_a=25^{\circ}C$, $V_{DD}=5.0V$

Symbol	Parameter	Conditions	Min.	Typ.	Max.	Unit
V_{DD}	Operating Voltage	—	2.4	5.0	5.5	V
T_{op}	Operating Temperature	—	-40	—	85	$^{\circ}C$
Current Consumption						
I_{SLP}	Deep Sleep Current Consumption	—	—	0.5	—	μA
I_{RX}	RX Current Consumption	@ 315MHz	—	4.4	—	mA
		@ 433MHz	—	4.0	—	
		@ 868MHz	—	5.5	—	
		@ 915MHz	—	5.5	—	
R_{PH}	Pull-high Resistance for I/O Ports	—	—	100	—	k Ω

RF Electrical Characteristics

$T_a=25^{\circ}C$, $V_{DD}=5.0V$

Symbol	Parameter	Conditions	Min.	Typ.	Max.	Unit
Receiver Characteristics						
f_{RF}	RF Frequency	BM2302-63-2	—	315	—	MHz
		BM2302-64-2	—	433.92	—	
		BM2302-68-2	—	868.35	—	
		BM2302-69-2	—	915	—	
SR	Symbol Rate (OOK Modulation)	I ² C Configuration	0.5	—	40	Ksps
		Auto RX Mode	0.5	—	19	Ksps
P_{SENS}	RX Sensitivity – 315MHz (Instrument: Keysight E4438C)	SR=1Ksps, BER=0.1%	—	-109	—	dBm
		SR=10Ksps, BER=0.1%	—	-109	—	
	RX Sensitivity – 433.92MHz (Instrument: Keysight E4438C)	SR=1Ksps, BER=0.1%	—	-108	—	dBm
		SR=10Ksps, BER=0.1%	—	-108	—	
	RX Sensitivity – 868.35MHz (Instrument: Keysight E4438C)	SR=1Ksps, BER=0.1%	—	-107	—	dBm
		SR=10Ksps, BER=0.1%	—	-107	—	
RX Sensitivity – 915MHz (Instrument: Keysight E4438C)	SR=1Ksps, BER=0.1%	—	-106	—	dBm	
	SR=10Ksps, BER=0.1%	—	-106	—		
BW	RX Bandwidth	Auto RX Mode	—	100	—	kHz
SE_{RX}	Receiver Spurious Emission	25MHz~1GHz	—	—	-57	dBm
		Above 1GHz	—	—	-47	
	Blocking Immunity	$\pm 2MHz$ offset	—	42	—	dBc
		$\pm 10MHz$ offset	—	60	—	

Symbol	Parameter	Conditions	Min.	Typ.	Max.	Unit
Cof _{ST}	Configuration Mode Settling Time (Deep Sleep Mode to Configuration Mode Settling Time)	—	—	2	—	ms
RX _{ST}	RX Mode Settling Time (Deep Sleep Mode to RX Mode Data Out)	—	—	10	—	ms
LO Characteristics						
f _{LO}	Frequency Coverage Range ^(Note)	BM2302-63-2	288	—	355	MHz
		BM2302-64-2	394	—	475	
		BM2302-68-2	819	—	940	
		BM2302-69-2	861	—	978	
	Frequency Resolution	—	—	—	0.1	kHz
	Synthesizer Locking Time	—	—	130	—	μs

Note: The f_{LO} is a supported frequency range, the reception sensitivity varies greatly for different frequency points within the range. Therefore, a receive sensitivity at a frequency point within the range may not be guaranteed. It is recommended to use the optimal operating frequency directly, to use other frequency points, users need to evaluate the actual test.

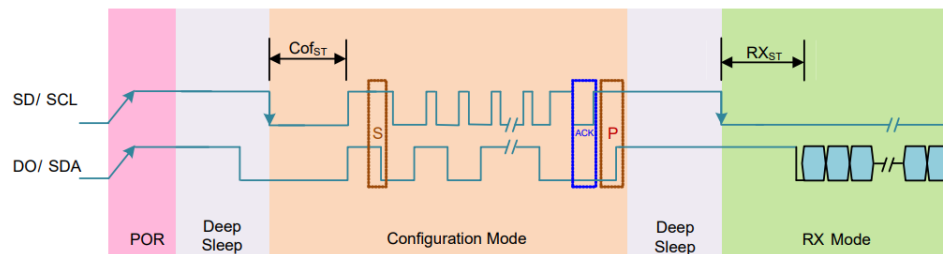
Functional Description

The BM2302-6x-2 are Sub-1GHz Low-IF OOK receiving modules, which provide three operation modes, including the Deep Sleep mode, Configuration mode and RX mode.

In the Deep Sleep mode, there is less than 1μA of sleep mode leakage current with register data retention.

When the BM2302-6x-2 SDA is low and a SCL falling edge occurs, the modules enter the Configuration mode after a 2ms delay time. In the Configuration mode, the BM2302-6x-2 are operated as I²C slaves, users can configure their internal registers through the SDA and SCL pins to implement the required RF functions. The modules will exit the Configuration mode and return to the Deep Sleep mode by setting the CFOMSD bit (Bit 0) in the 42h register high.

In the Deep Sleep mode, if the SCL pin is pulled low, the BM2302-6x-2 will enter the RX mode. In the RX mode, the module will receive the RF signal and then output the demodulated data onto the DO/SDA pin. The BM2302-6x-2 will exit the RX mode and return to the Deep Sleep mode by pulling the SCL high.



I²C Communication Format

The SDA and SCL of the BM2302-6x-2 form an I²C communication interface that can be used to configure and read data from the module's internal registers in the Configuration mode. The modules support the I²C format for byte write, page write, byte read and page read formats. Every byte placed onto the SDA line must be 8-bits long. The module device address is fixed to 0x23. Refer to the BC2302C/D datasheet for details.

Byte Write



Page Write



Byte Read



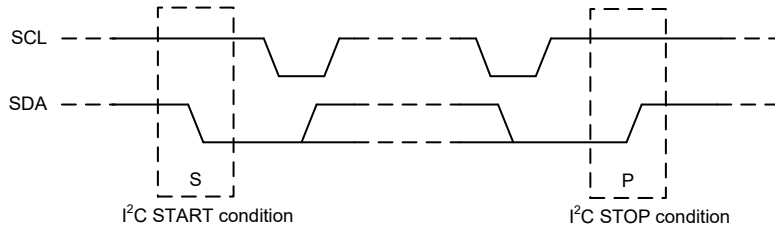
Page Read



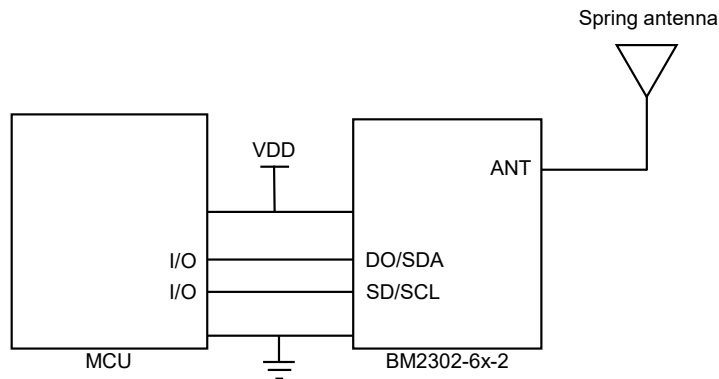
Bus Direction: : Host to device; : Device to host;

Symbol Definitions: **S**: Start; **RS**: Repeated Start; **P**: Stop;
DADDR[6:0]: Device Address, 23h; **R**: Read(1);
W: Write(0); **RADDR[7:0]**: register address;
A: ACK(0); **NA**: NAK(1)

I²C START and STOP Conditions

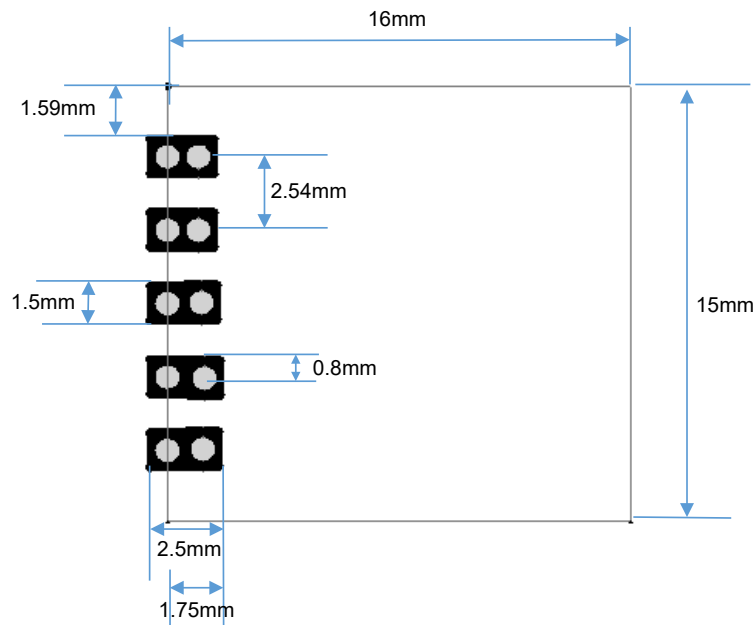


Application Circuits

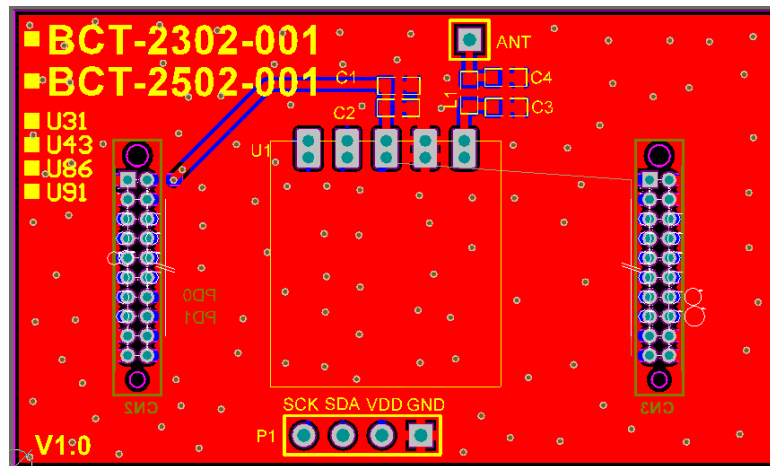


Layout Description

PCB Footprint

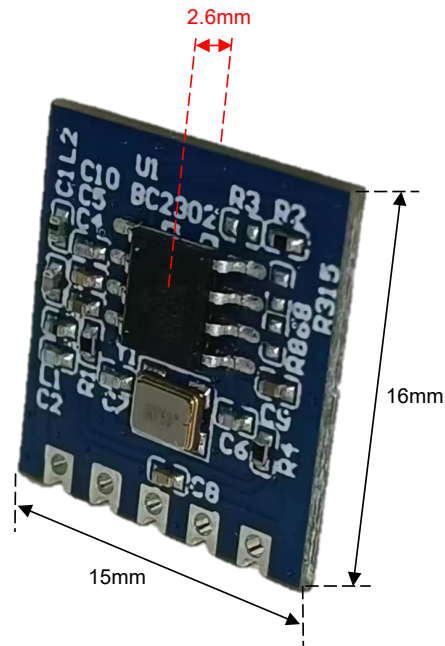


Layout Example



Note: L1, C3 and C4 are reserved antenna matching circuits, if the used antenna impedance is not 50Ω, the antenna impedance can be adjusted by these components, such as the antenna impedance is 50Ω, only need to connect 0R resistance to L1.

Dimensions



Reference Information

Modification History

Data	Author	Issue	Modification Information
2023.05.25	江振東	V1.00	First Version

Relevant Document

Refer to the BC2302C/D Development Board Application Note sample program description document for details

Buy Online

- [BM2302-63-2](#)
- [BM2302-64-2](#)
- [BM2302-68-2](#)
- [BM2302-69-2](#)

More product links: [Best Modules](#)

Copyright© 2023 by BEST MODULES CORP. All Rights Reserved.

The information provided in this document has been produced with reasonable care and attention before publication, however, BEST MODULES does not guarantee that the information is completely accurate. The information contained in this publication is provided for reference only and may be superseded by updates. BEST MODULES disclaims any expressed, implied or statutory warranties, including but not limited to suitability for commercialization, satisfactory quality, specifications, characteristics, functions, fitness for a particular purpose, and non-infringement of any third-party's rights. BEST MODULES disclaims all liability arising from the information and its application. In addition, BEST MODULES does not recommend the use of BEST MODULES' products where there is a risk of personal hazard due to malfunction or other reasons. BEST MODULES hereby declares that it does not authorize the use of these products in life-saving, life-sustaining or safety critical components. Any use of BEST MODULES' products in life-saving/sustaining or safety applications is entirely at the buyer's risk, and the buyer agrees to defend, indemnify and hold BEST MODULES harmless from any damages, claims, suits, or expenses resulting from such use. The information provided in this document, including but not limited to the content, data, examples, materials, graphs, and trademarks, is the intellectual property of BEST MODULES (and its licensors, where applicable) and is protected by copyright law and other intellectual property laws. No license, express or implied, to any intellectual property right, is granted by BEST MODULES herein. BEST MODULES reserves the right to revise the information described in the document at any time without prior notice. For the latest information, please contact us.